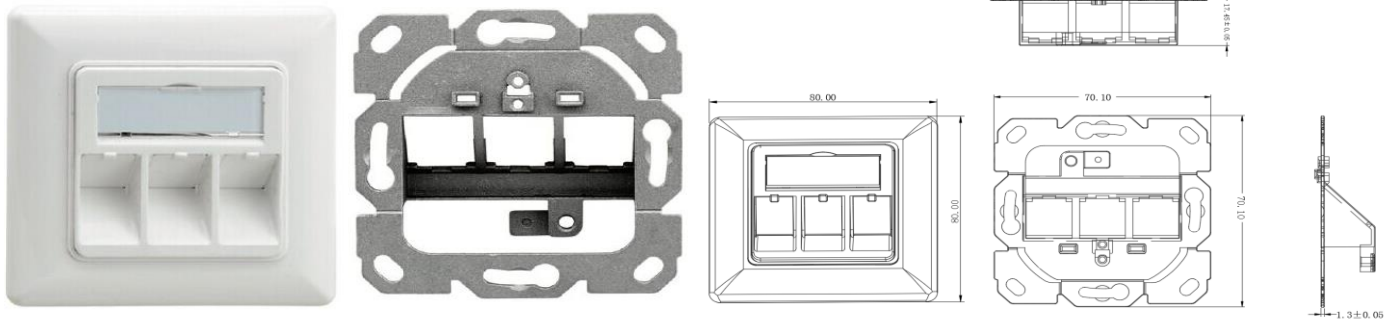


Face plate for 3 port keystone jack with zinc alloy Germany and Switzerland Type



Feature

- 80*80(outer Frame) and 50*50(inner Frame)ABS
- Title block with Transparent cover
- Keystone design: 45° outlet
- Suitable for installation in the parapet channel, flush-mounted and surface-mounted
- zinc alloy Housing
- Edge can be breakable to be used for Tankboden and spare the space
- Central earth connection
- Integrated dust flap
- L×W×H :80×80×24.2mm

STANDARDS

- IEC 60603-7
- ROHS 2.0 and Reach compliant.

DESCRIPTION

Front side standard cut-out:	3 modules 45°
Installation frame thickness:	1.3mm
Material housing:	zinc alloy Housing
Cable fastening:	N/A
Surface treatment:	Plastic ABS

Environment

Operating temperature:	-40~+70°C
Storage temperature:	-40~+70°C
Operation humidity:	10%~85%
Storage humidity:	10%~85%
Connection class:	N/A

Application

Suitable for keystone modules with a width of less than 17.4mm



Package

Item No.	Port	Color	Package
DD3	3	Pearl White RAL9010	1pc/box+Nambo Label

version:V0